

FLOS

F0303000 Steel

Arco Led

Designed by Achille and Pier Giacomo Castiglioni, 1962

28W - 1224lm - 2700K



Floor lamp providing direct light. White Carrara marble base. Satin-finish stainless steel telescopic stem. Pressed, polished and zapon-varnished aluminum swiveling and height-adjustable reflector.

Are you a professional and your project needs consulting and support?

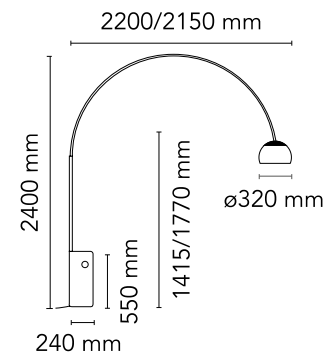
[BOOK AN APPOINTMENT](#)

Main specifications

EAN	8059607000991
Mounting	Floor
Environments	Indoor dry location
Light Source Type	LED
LED type	LED array
Power (W)	28
System flux (lm)	1224

Physical

Colour	Steel
Length (mm)	2200
Cord length (mm)	2300
Net weight (kg)	63.85
Package volume (m3)	0.24
IP internal	20



Download

- [Mounting instructions](#) PDF
- [Mounting instructions](#) PDF
- [Mounting instructions](#) PDF
- [Spare Parts](#) PDF

Photometric Files

- [LDT / IES](#) LDT

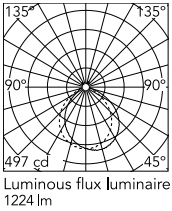
Technical Drawings

- [2D](#) ZIP
- [3D](#) ZIP
- [Bim](#) ZIP



IP
20

Schematic light drawing



Photometric

Lighting type	Direct
Light distribution	Asymmetric
CCT (K)	2700

Electrical

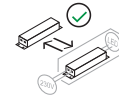
Insulation class	III
Frequency (Hz)	50/60
Main voltage (Vac)	100-240/48
LED voltage Vf (Vdc)	null
Driver	Remote included
Dimmable	Yes
Dimming type	Electronic 48V
Dimming interface	Dimmer Integrated
Plug type	Type G, Type A, Type C
Batteries inside	No

Ecodesign and Energy Labelling

This product contains a light source of energy efficiency class D

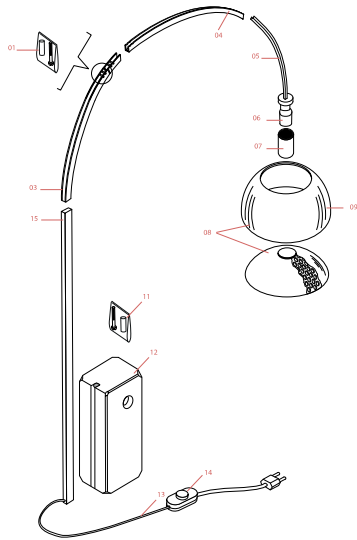


Replaceable (LED only) light source by a professional



Replaceable control gear by an end-user

Spare Parts



- | | | |
|-----|--|-----------|
| 01. | Black plug assembly kit & 48V driver | RF3320400 |
| 02. | Switch dimmer 600Ma for new version | RF26383 |
| 03. | Switch dimmer 400mA assembly for old version | RF0303600 |
| 04. | Middle electric cable with connectors | RF20805 |
| 05. | Marble base | F0310000 |
| 06. | Fixing screw with joint | RF0300100 |
| 07. | Inox stem | RF21041 |
| 08. | Long inox channel | RF02970 |
| 09. | Pins and screw set | RF0300200 |
| 10. | Medium inox channel | RF02971 |
| 11. | Polished reflector | RF00797 |
| 12. | Small inox channel with grid and led | RF0303400 |
| 14. | Optical led diffuser fixing screws | RF0303300 |

DOWNLOAD



RF3320400
Black plug assembly kit & 48V driver



RF26383
Switch dimmer 600Ma for new version



RF0303600
Switch dimmer 400mA assembly for old version



RF20805
Middle electric cable with connectors



F0310000
Marble base



RF0300100
Fixing screw with joint



RF21041
Inox stem



RF02970
Long inox channel



RF0300200

Pins and screw set



RF02971

Medium inox channel



RF00797

Polished reflector



RF0303400

Small inox channel with grid and led



RF0303300

Optical led diffuser fixing screws